

20VGT CAN SEAMER

AUTOMATED VACUUM & GASSING



FEATURES:

- Manufactured in the UK
- Designed to EHEDG principles of hygienic manufacturing
- Residual oxygen levels of less than 0.5%
- Hygienic tri-clamp pressure sensors for accurate vacuum levels
- Automated lid placement
- Servo driven indexing turret for smooth can transfer
- Hygienic grade 316 Stainless Steel manufacturing
- Integrated oil-free vacuum pump
- Easy change over between can sizes
- UKCA and CE marked

The 20VGT is a fully automated vacuum and gassing seamer for closing cans in modified atmosphere. It comprises of two seaming stations, with automated lid placement and servo driven indexing turret. Parallel infeed and outfeed conveyors allow the 10VGT to be positioned in an existing line without the need for altering configuration.

The machine is manufactured fully from 316 stainless steel and FDA and EU approved blue acetal plastic where delicate can handling is required. Food grade lubrication is used where absolutely necessary but in minimal places and robust oil seals ensure there is no lubrication in food contact areas.

Cans are fed into the seamer, through adjustable conveyor guides on a stainless steel conveyor, powered by a high quality SEW helical gear motor. A top of the range Siemens S210 servo motor connected to a low backlash, food grade Wittenstein gearbox, drives the indexing turret.

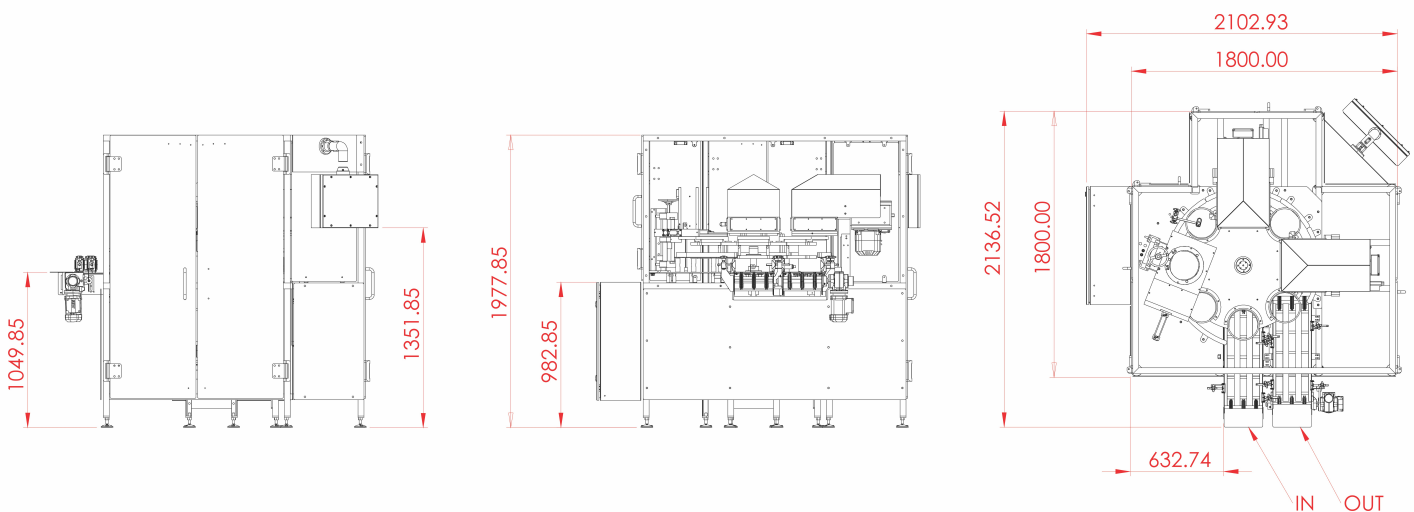
The 20VGT has inbuilt checks and alarms for any issues, such as end in place sensor for no lid, no seam and constant pressure monitoring to ensure correct vacuum and gassing pressures are reached.

The inbuilt vacuum pump is oil free, to ensure there is no danger of oil mist polluting the atmosphere in the clean room. The vacuum hose is connected using hygienic tri-clamps which can be quickly disconnected for cleaning.

All of the settings are adjustable on the Siemens touch screen HMI. The HMI also includes production monitoring, the ability to switch between vacuum only, gassing only, vacuum and gassing or atmospheric at the touch of a button. The control system has a remote access module that allows Innovus to diagnose any potential faults and also monitor run time for servicing requirements. This module is connected to the network through either 4G, Wi-Fi or Ethernet, depending on customer preference.

20VGT CAN SEAMER

AUTOMATED VACUUM & GASSING



TECHNICAL DATA

CAN DIAMETER RANGE	99-189MM
CAN HEIGHT RANGE	110-250MM
CAPACITY	15CPM VAC & GAS
AC MOTOR POWER	6.5KW 400V THREE PHASE 32A
FOOTPRINT	2100MM X 2200MM
RESIDUAL OXYGEN	LESS THAN 0.5%